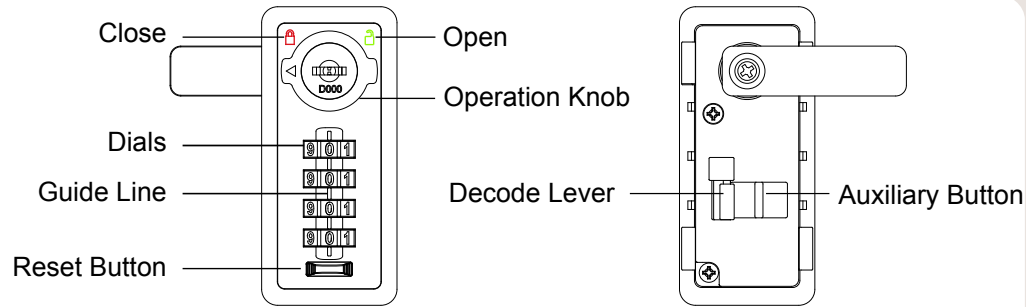
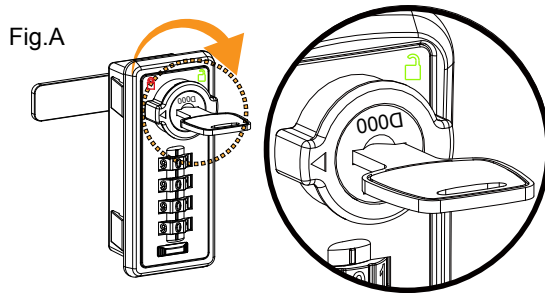


## How to decode the forgotten combination ?

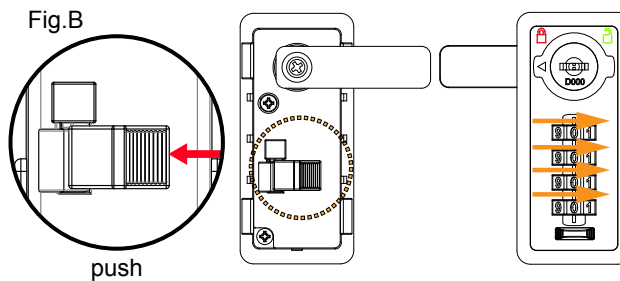


- Master Key operation may be used at any time to open a lock in an emergency.

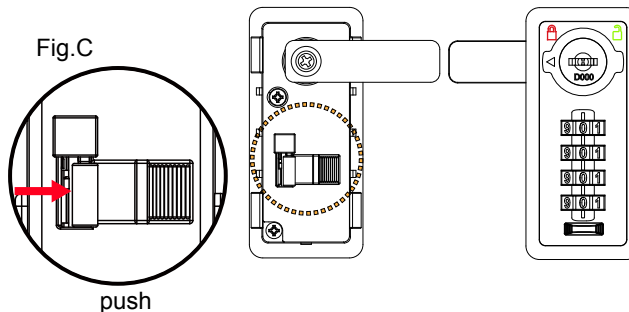
1. Insert and turn the Master Key clockwise 180 degree to open the door if necessary (Fig.A). Make sure to turn the key counterclockwise 180 degree to withdraw the Master Key.



2. To retrieve the forgotten combination, push the Auxiliary Button to the left then it will stop the Decode Lever. Gently rotate each Dial from left to right until it stops or there is a "click" sound (Fig. B).



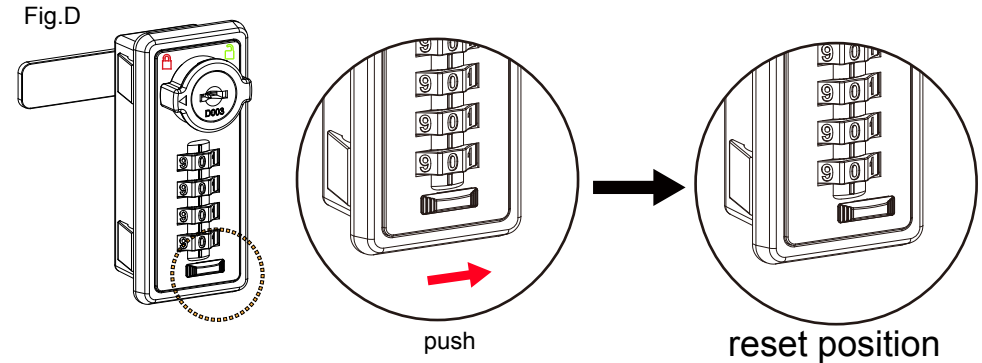
3. Push back the Decode Lever to its original place. You can now keep using the retrieved combinations or reset your new desired codes (Fig. C).



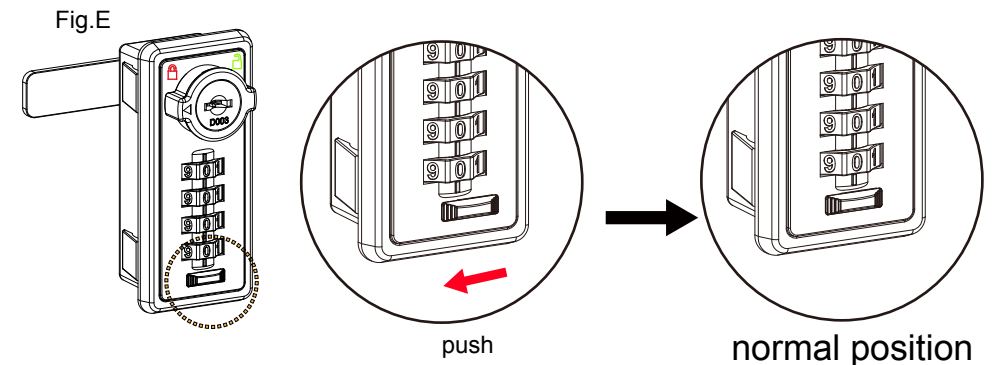
## How to reset your combination?

- The factory preset combination is 0-0-0-0 ( you can reset your combination in close or open condition.)

1. Turn the dials to the preset opening combination 0-0-0-0.
2. Push the Reset Button to the reset position (Fig D).



3. Set your own desired combination.
4. Push the Reset Button back to normal position (Fig E). Your lock is now ready to open at its new combination.



- Always keep your secret combination in a safe and accessible place for future reference.

**NOTE: DO NOT RESET YOUR COMBINATION AT 0-0-0-0.**